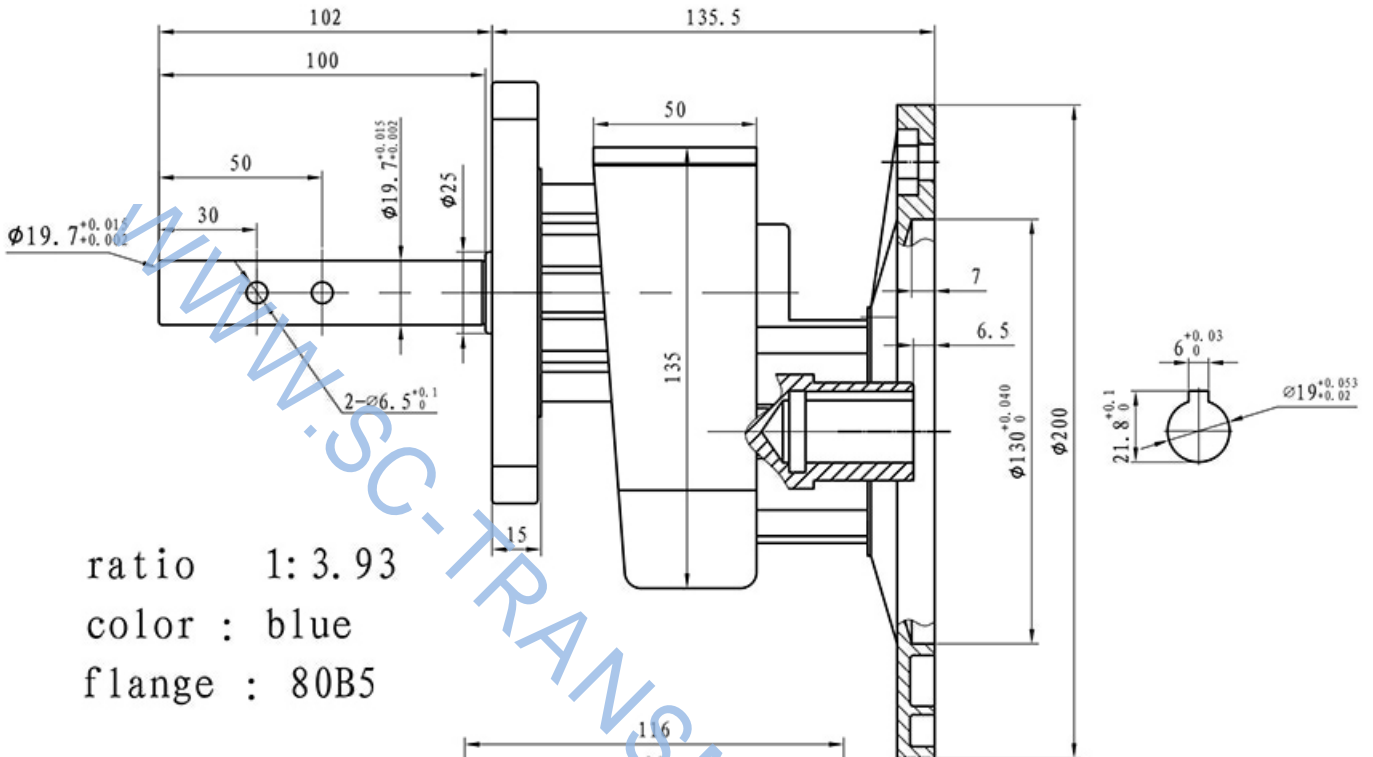
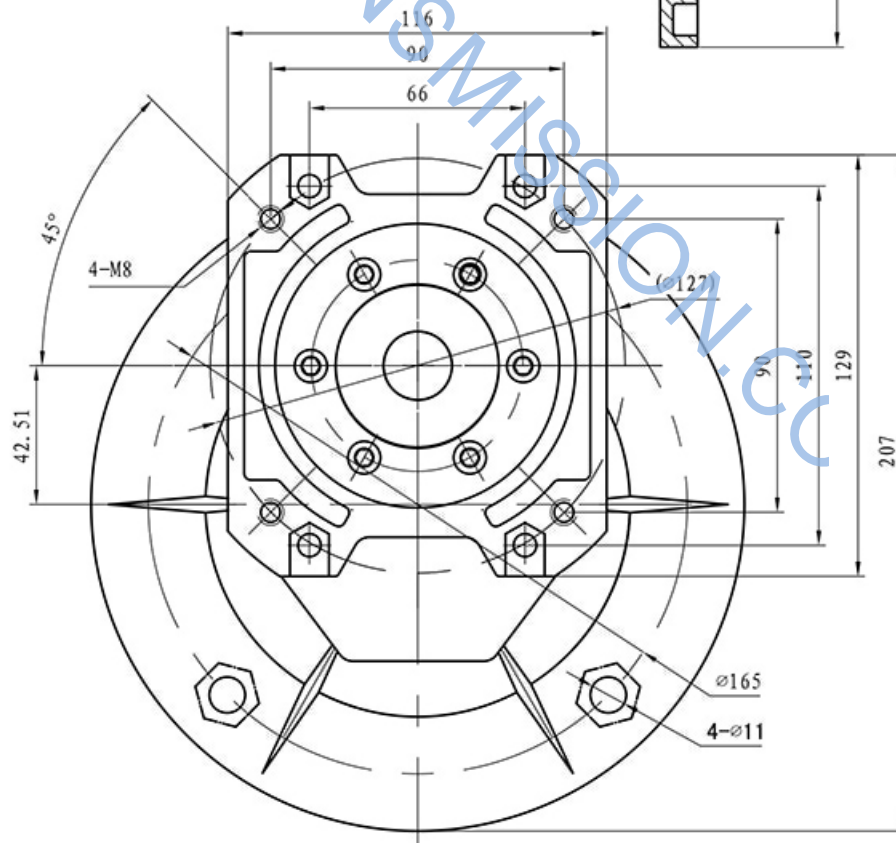


# Farm Feeding Reducer




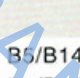
ratio 1: 3.93  
 color : blue  
 flange : 80B5

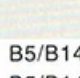



## Farm Feeding Reducer

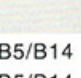
# [IEC-50Hz-n<sub>1</sub> 1400min<sup>-1</sup>]

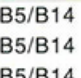
P <sub>1</sub> [kW]	n <sub>2</sub> [min <sup>-1</sup> ]	M <sub>2</sub> [Nm]	sf	l		
<b>0.25</b>						
71A4 (1400min <sup>-1</sup> )	888	2.6	15.3	1.58	PU01	B5/B14
	732	3.2	12.6	1.91		B5/B14
	596	3.9	10.3	2.35		B5/B14
	560	4.1	9.7	2.50		B5/B14
	467	5.0	10.1	3.00		B5/B14
	439	5.3	9.5	3.19		B5/B14
	370	6.3	8.0	3.79		B5/B14
	356	6.5	7.7	3.93		B5/B14
	295	7.9	6.4	4.75		B5/B14
	275	8.4	5.9	5.09		B5/B14
	246	9.4	5.3	5.70		B5/B14
	190	12	3.3	7.38		B5/B14
	178	13	3.1	7.88		B5/B14
	163	14	2.8	8.57		B5/B14

P <sub>1</sub> [kW]	n <sub>2</sub> [min <sup>-1</sup> ]	M <sub>2</sub> [Nm]	sf	l		
<b>0.37</b>						
71B4 (1400min <sup>-1</sup> )	888	3.9	10.4	1.58	PU01	B5/B14
	732	4.7	8.5	1.91		B5/B14
	596	5.8	7.0	2.35		B5/B14
	560	6.1	6.5	2.50		B5/B14
	467	7.3	6.8	3.00		B5/B14
	439	7.8	6.4	3.19		B5/B14
	370	9.3	5.4	3.79		B5/B14
	356	10	5.2	3.93		B5/B14
	295	12	4.3	4.75		B5/B14
	275	12	4.0	5.09		B5/B14
	246	14	3.6	5.70		B5/B14
	190	18	2.2	7.38		B5/B14
	178	19	2.1	7.88		B5/B14
	163	21	1.9	8.57		B5/B14

P <sub>1</sub> [kW]	n <sub>2</sub> [min <sup>-1</sup> ]	M <sub>2</sub> [Nm]	sf	l		
<b>0.55</b>						
71C4 (1400min <sup>-1</sup> )	888	5.7	7.0	1.58	PU01	B5/B14
	732	7.0	5.7	1.91		B5/B14
	596	8.6	4.7	2.35		B5/B14
	560	9.1	4.4	2.50		B5/B14
	467	11	4.6	3.00		B5/B14
	439	12	4.3	3.19		B5/B14
	370	14	3.6	3.79		B5/B14
	356	14	3.5	3.93		B5/B14
	295	17	2.9	4.75		B5/B14
	275	19	2.7	5.09		B5/B14
	246	21	2.4	5.70		B5/B14
	190	27	1.5	7.38		B5/B14
	178	29	1.4	7.88		B5/B14
	163	31	1.3	8.57		B5/B14

P <sub>1</sub> [kW]	n <sub>2</sub> [min <sup>-1</sup> ]	M <sub>2</sub> [Nm]	sf	l		
<b>0.55</b>						
80A4 (1400min <sup>-1</sup> )	888	5.7	7.0	1.58	PU01	B5/B14
	732	7.0	5.7	1.91		B5/B14
	596	8.6	4.7	2.35		B5/B14
	560	9.1	4.4	2.50		B5/B14
	467	11	4.6	3.00		B5/B14
	439	12	4.3	3.19		B5/B14
	370	14	3.6	3.79		B5/B14
	356	14	3.5	3.93		B5/B14
	295	17	2.9	4.75		B5/B14
	275	19	2.7	5.09		B5/B14
	246	21	2.4	5.70		B5/B14
	190	27	1.5	7.38		B5/B14
	178	29	1.4	7.88		B5/B14
	163	31	1.3	8.57		B5/B14

P <sub>1</sub> [kW]	n <sub>2</sub> [min <sup>-1</sup> ]	M <sub>2</sub> [Nm]	sf	l		
<b>0.75</b>						
80B4 (1400min <sup>-1</sup> )	888	7.8	5.1	1.58	PU01	B5/B14
	732	9.5	4.2	1.91		B5/B14
	596	12	3.4	2.35		B5/B14
	560	12	3.2	2.50		B5/B14
	467	15	3.4	3.00		B5/B14
	439	16	3.2	3.19		B5/B14
	370	19	2.7	3.79		B5/B14
	356	19	2.6	3.93		B5/B14
	295	24	2.1	4.75		B5/B14
	275	25	2.0	5.09		B5/B14
	246	28	1.8	5.70		B5/B14
	190	37	1.1	7.38		B5/B14
	178	39	1.0	7.88		B5/B14

P <sub>1</sub> [kW]	n <sub>2</sub> [min <sup>-1</sup> ]	M <sub>2</sub> [Nm]	sf	l		
<b>1.1</b>						
80C4 (1400min <sup>-1</sup> )	888	11	3.5	1.58	PU01	B5/B14
	732	14	2.9	1.91		B5/B14
	596	17	2.3	2.35		B5/B14
	560	18	2.2	2.50		B5/B14
	467	22	2.3	3.00		B5/B14
	439	23	2.2	3.19		B5/B14
	370	28	1.8	3.79		B5/B14
	356	29	1.7	3.93		B5/B14
	295	35	1.4	4.75		B5/B14
	275	37	1.3	5.09		B5/B14
	246	41	1.2	5.70		B5/B14

## Farm Feeding Reducer

### [IEC-50Hz-n<sub>1</sub> 1400min<sup>-1</sup>]

P <sub>1</sub> [kW]	n <sub>2</sub> [min <sup>-1</sup> ]	M <sub>2</sub> [Nm]	sf	l		
------------------------	--	------------------------	----	---	---	---

P <sub>1</sub> [kW]	n <sub>2</sub> [min <sup>-1</sup> ]	M <sub>2</sub> [Nm]	sf	l		
------------------------	--	------------------------	----	---	---	---

#### 1.1

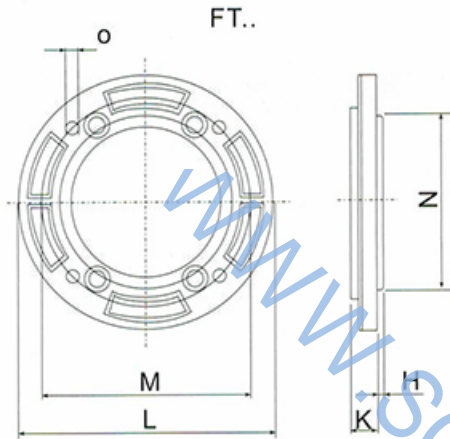
90A4 (1400min <sup>-1</sup> )	888	11	3.5	1.58		B5/B14
	732	14	2.9	1.91		B5/B14
	596	17	2.3	2.35		B5/B14
	560	18	2.2	2.50		B5/B14
	467	22	2.3	3.00		B5/B14
	439	23	2.2	3.19	PU01	B5/B14
	370	28	1.8	3.79		B5/B14
	356	29	1.7	3.93		B5/B14
	295	35	1.4	4.75		B5/B14
	275	37	1.3	5.09		B5/B14
	246	41	1.2	5.70		B5/B14

#### 1.5

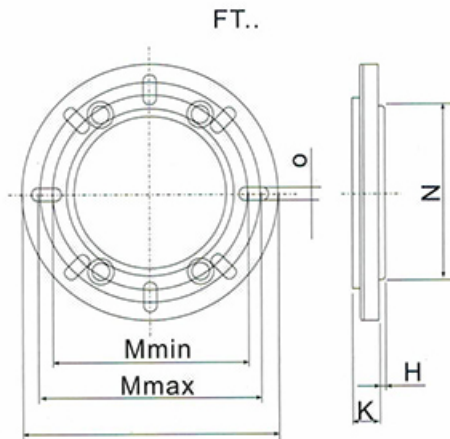
90B4 (1400min <sup>-1</sup> )	888	16	2.6	1.58		B5/B14
	732	19	2.1	1.91		B5/B14
	596	23	1.7	2.35		B5/B14
	560	25	1.6	2.50		B5/B14
	467	30	1.7	3.00		B5/B14
	439	32	1.6	3.19	PU01	B5/B14
	370	37	1.3	3.79		B5/B14
	356	39	1.3	3.93		B5/B14
	295	47	1.1	4.75		B5/B14
	275	50	1.0	5.09		B5/B14

## Farm Feeding Reducer

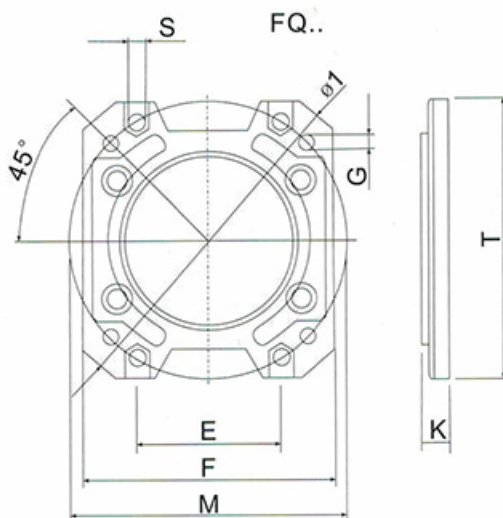
## IEC Motor adapters



Dimensions		L	M	N f7	O	K	H
PU01	FT1	140	115	95	M8	14	3
	FT5	140	115	/	M8	14	/
	FT2	160	130	110	9	14	3.5
	FT4	160	130	/	9	14	/
	FT3	200	165	130	11	14	3.5
	FT9	200	165	/	11	14	/
	...	...	...	...	...	...	...

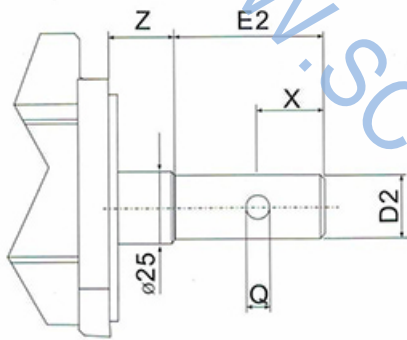


Dimensions		L	M	N f7	O	K	H
PU01	FT7	140	115-130	95	8.5	18	3
	FT6	145	115-130	95	8.5	18	3
	...	...	...	...	...	...	...



Dimensions		T	M	G	E	R	S	I	K	
PU01	FQ1	116	129	127	M8	66	110	7	154	18
	FQ4	150	150	165	11	/	/	/	200	14
	...	...	...	...	...	...	...	...	...	...

### Output shafts



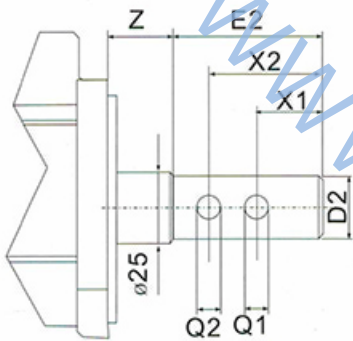
Dimensions	D2	E2	X	Z	Q
O16	16	50	21	18	7
O17	16	50	21	19	6.5
O32	16	40	10	14	6.4
O4	19	60	23	23	6.5
O5	19	44.1	13.5	9.9	6.5
O6	19	82	30	30.5	8.5
O10	19	80	21.5	17	8.5
O13	19	100	50	9.9	6.5
O23	19	58	24	18	8
O34	19	40	13	0	6.8
O41	19	100	50	9.9	M8
O46	19	60	23	23	8
O48	19	100	50	9.9	8
O33	19.7	100	50	4.5	6
O8	20	103	50	20	7
O9	20	84	30	13	6
O26	20	40	9	14	8.5
O30	20	50	25	17.5	6
O14	21	52	23	9	6
O20	21	50	25	17.5	6
O1	22	52	23	23	8.5
O18	22	57	23	18	8.5
O45	22	60	24	19	8.5
...	...	...	...	...	...

Note: Output shafts not shown in the table are available on request. Dimension Z refers to U and U1 versions. For the output flange version, dimension Z must be reduced from dimension K shown on page 10.

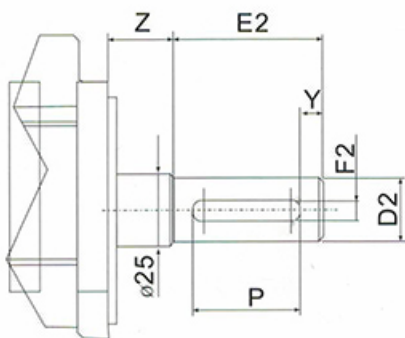
## Farm Feeding Reducer

## Dimensions

### Output shafts



Dimensions	D2	E2	X1	X2	Z	Q1	Q2
O15	19	92	30	48	20.5	8.5	8.5
O27	19	100	44	59	12.5	6.5	6.5
O12	19.7	100	30	50	4.5	6	6O44
O44	16	65	23.25	38.25	28	6.5	6.5
O31	19.7	90	30	50	13.5	6.5	6.5
O38	19.7	100	30	50	4.5	6	6
O29	20	60	20	35	4.5	5.5	5.5
O37	20	70	20	40	18	8	8
O39	20	58	23	38	18	8.5	8.5
O35	20.5	65	12	42	14	516" 18UNC-2B	516" 18UNC-2B
O40	19	92	30	48	15.5	8.5	8.5
O47	20	76	22	32	22	68	6.8
...	...	...	...	...	...	...	...



Dimensions	D2	E2	Y	F2	P	Z
O2	14	30	2.5	5	25	14
O50	14	30	2.5	5	25	0
O3	19	40	3	6	30	0
PU01 U/F O22	19	40	3	6	30	18
O24	20	40	3	6	30	18
O25	20	40	3	6	30	14
...	...	...	...	...	...	...

Note: Output shafts not shown in the table are available on request. Dimension Z refers to U and U1 versions. For the output flange version, dimension Z must be reduced from dimension K shown on page 10.